

06 Function details

Eh1 : Modification of various settings for temperature output, communications and others

Eh2 : Modification of various settings for defrosting and fan output

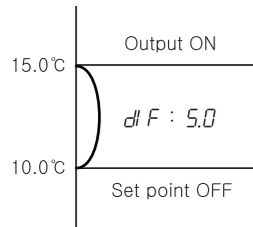
Eh3 : Modification of various settings for alarm

Unit : Change of the temperature unit
 - C (temperature displayed in Celsius)
 - F (temperature displayed in Fahrenheit)

△ Note : If you change the **Unit** while the product is running, all the settings except for the **Unit** will be initialized to factory settings. Please reset all the settings.

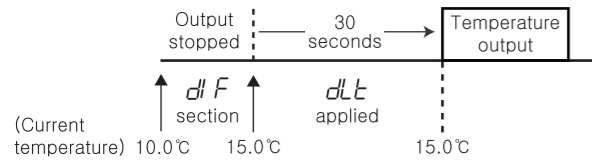
dF : Deviation temperature setting
 - For on/off control, there should be a certain interval between on and off.
 - A relay or other output contacts may be quickly damaged or experience hunting (electricity generation, chattering, etc.) due to an external noise if the on/off function is used too frequently.
 - Different temperature is set to prevent such phenomenon and protect relevant contacts.

- Ex1) Set temperature : 10.0°C, dF : 5.0



dLt : Output delay time setting
 - Used if the on/off function of a control target is used too frequently (freezer, compressor, etc.)
 - Protects running machine from momentary outage or power re-connection.

- Ex) When is the output on for the following conditions: set temperature (10.0°C); dL(00.30), dF(5.0°C)?



Cor : Correction of the current temperature
 - Used to correct the current temperature based on the reference temperature (e.g. mercury thermometer, existing thermometer, thermostat, etc.) when there is an input error by an external sensor even though the product itself does not have any problem.

- Ex) Actual temperature : 10.0°C
 Display window : 12.0°C → **Cor** Modification of 0.0 to -2.0
 → Displayed as 10.0 (current temperature modified)

Addr : Communications address setting
 - An address from 1 to 99 should be specified for RS485 communications

bPS : Baudrate setting
 - 1200BPS / 2400BPS / 4800BPS / 9600BPS / 19200BPS

cdt : Communication data type setting
 - Change the communication data format to Float type or Integer type.
 - Float (FL) and Integer (IN) selections.

LoL : Locking of the setting
 - Safety function intended to prevent anyone other than the main user from changing the settings
 - If set at **on** : All the settings except for the set temperature will be locked.
 - If set at **off** : All the settings will be unlocked.

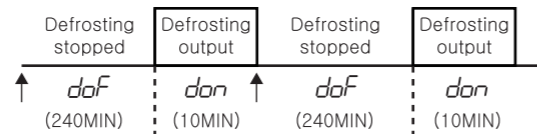
△ Note: When you arbitrarily run a defrosting machine, consider the machine's condition and be alert for a fire.

Ini : Setting initialization
 - If set at **rst**: The current temperature will be displayed after the product's model name is displayed.

△ Note: All the settings will be initialized to factory settings. Please verify them.

doF : Defrosting OFF time (defrosting cycle)
 - Defrosting will proceed after the set time elapses.

don : Defrosting ON time
 - Defrosting will commence when the defrosting cycle comes.



- Defrosting will be repeated for 10 minutes every 240 minutes.

* Note: If 'don 0', defrosting will be prohibited

Setting the manual defrosting

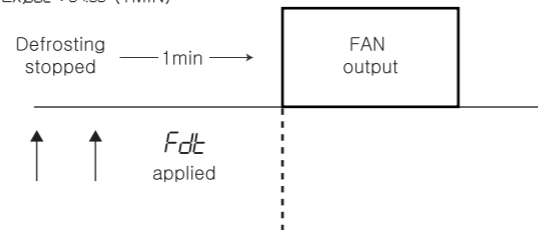
- Manual defrosting ON: If you press the **SET** key for at least 3 seconds, manual defrosting will commence as the defrosting LED lights, 'don' and the remaining defrosting time will be displayed alternately on the display.
- Manual defrosting OFF: If you press the **SET** key for 3 seconds while manual defrosting is set ON, it will be OFF. Otherwise, it will be automatically stopped in 'don' hours.

FSt : Fan action setting (F1 ~ F4)

		When comp is ON	When comp is OFF	When defrosting is ON
Fan setting	F1	Fan ON	Fan OFF	
	F2	Fan ON		
	F3	Fan ON	Fan OFF	Fan ON
	F4	Fan ON		Fan OFF

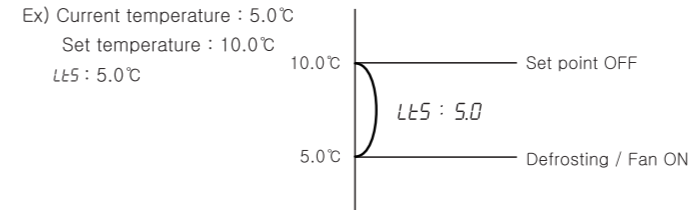
Fdt : Post-defrosting comp output delay time setting
 - A compressor is output after a delay of the time set after defrosting.

- Ex) **Fdt** : 01.00 (1MIN)



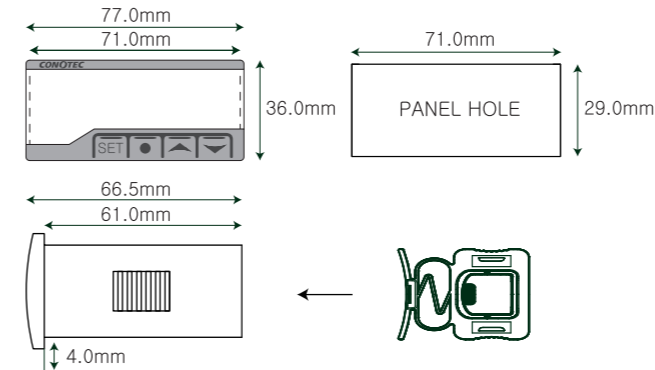
crs : Comp accumulation defrosting time option
 - If set at **on** : Defrosting operation based on the comp accumulation
 - If set at **off** : Defrosting operation based on the cycle
 * If the comp accumulation time is greater than **doF** (defrosting OFF time), defrosting will commence.

Lt5 : Low-temperature prevention temperature difference setting
 - If Lt5 is 0, the low temperature prevention function will be off.
 - Current temperature ≤ (set temperature - Lt5)
 → Defrosting/fan ON
 (When running in the Lt5 mode, defrosting/fan will be instantly output regardless of the fan setting chart)



08 Dimension and panel hole sizes

(Unit : mm / error : ±0.5)



09 Easy error diagnosis instructions

* If an error is displayed while the product is running

- Er1** : It is case where the product was subject to a strong external noise and internal data memories have been damaged. In this case, contact us for product service.
- Although this controller was designed to withstand a certain level of external noise, it is not supposed to withstand all levels of noise.
- If the product is subject to a noise greater than 2KV, it could be internally damaged.
- If **o-E** (open error) or **s-E** (short error) is displayed, there is something wrong with a sensor. Please check the sensor.
- If **don** (defrosting ON) is displayed, the product is in the defrosting mode.
- A text such as **LoL** (lock) indicates that the product is in the lock mode.
- If **o-t** (OK) is displayed, settings have been saved.
- If **SL30** (product name) is displayed, it refers to a model name.
- If **SR30** (product name) is displayed, it refers to a model name.

* The above specifications may be changed without any notice for performance enhancement. Please make yourself fully familiar with and follow the above precautions.

■ Warranty period: One year from the date of purchase
 ■ Address : (Street address) 56, Ballyongsandan 1-rp, Jangan-eup, Gijang-gun, Busan, ROK
 (Land-lot address) 901-1, Ballyong-ri, Jangan-eup, Gijang-gun, Busan, ROK (46034)

• Product service : 070-7815-8289
 • Customer service : 051-819-0425 ~ 0427
 • FAX : 051-819-4562
 • Email : conotec@conotec.co.kr
 • SNS : Facebook, Instagram, Twitter, YouTube ▶ 'Search for 'Conotec'
 • Website : www.conotec.co.kr

Installation precautions

- This device should be connected to a protective earth terminal and a power supply in order to prevent an electric shock.
- Do not block the air outlet.

Operation precautions

- * An operating environment of this device is as follows.
- Ambient temperature : 0 ~ 60°C ■ Ambient humidity : 80%RH or less
- Indoor uses only ■ Pollution class 2
- Altitude under 2000m ■ Installation category : II
- This device should be laid out in a way that its power cord is easy to handle.
- Using this product in any method other than those specified by the manufacturer may damage its protection function

Major products and development

- Temperature/humidity controller
- Counter and timer controller
- Current and voltage panel meter
- Temperature/humidity indicator
- Oven controller
- CO2 controller
- PID controller
- Unit cooler controller
- Heat pump controller
- Chiller controller
- Thermo-hygrostat controller
- Short message alarm
- Temperature/humidity transmitter
- Smartphone app and monitoring system

* This manual was prepared in the Naver Nanum fonts.